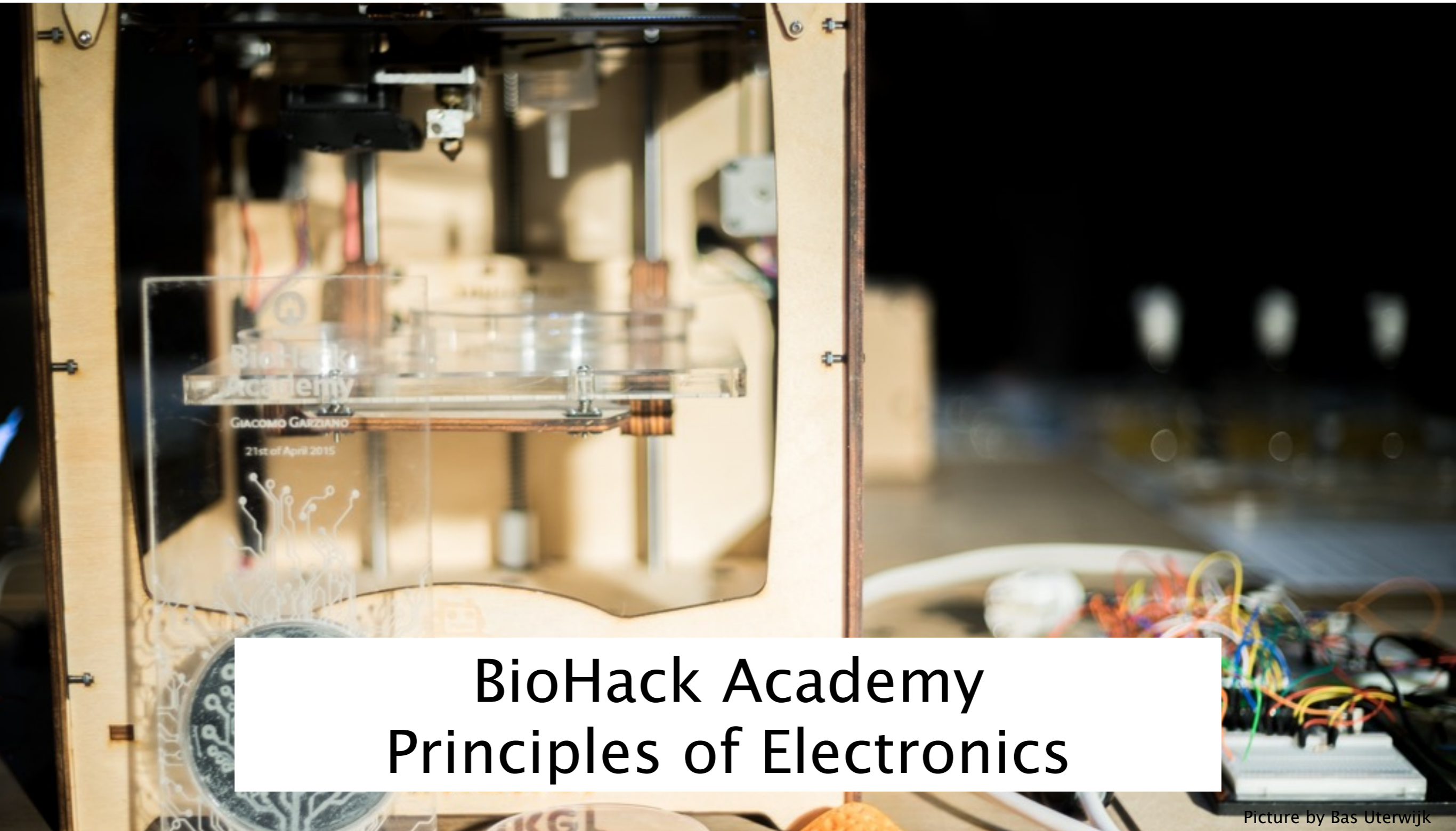




waag society

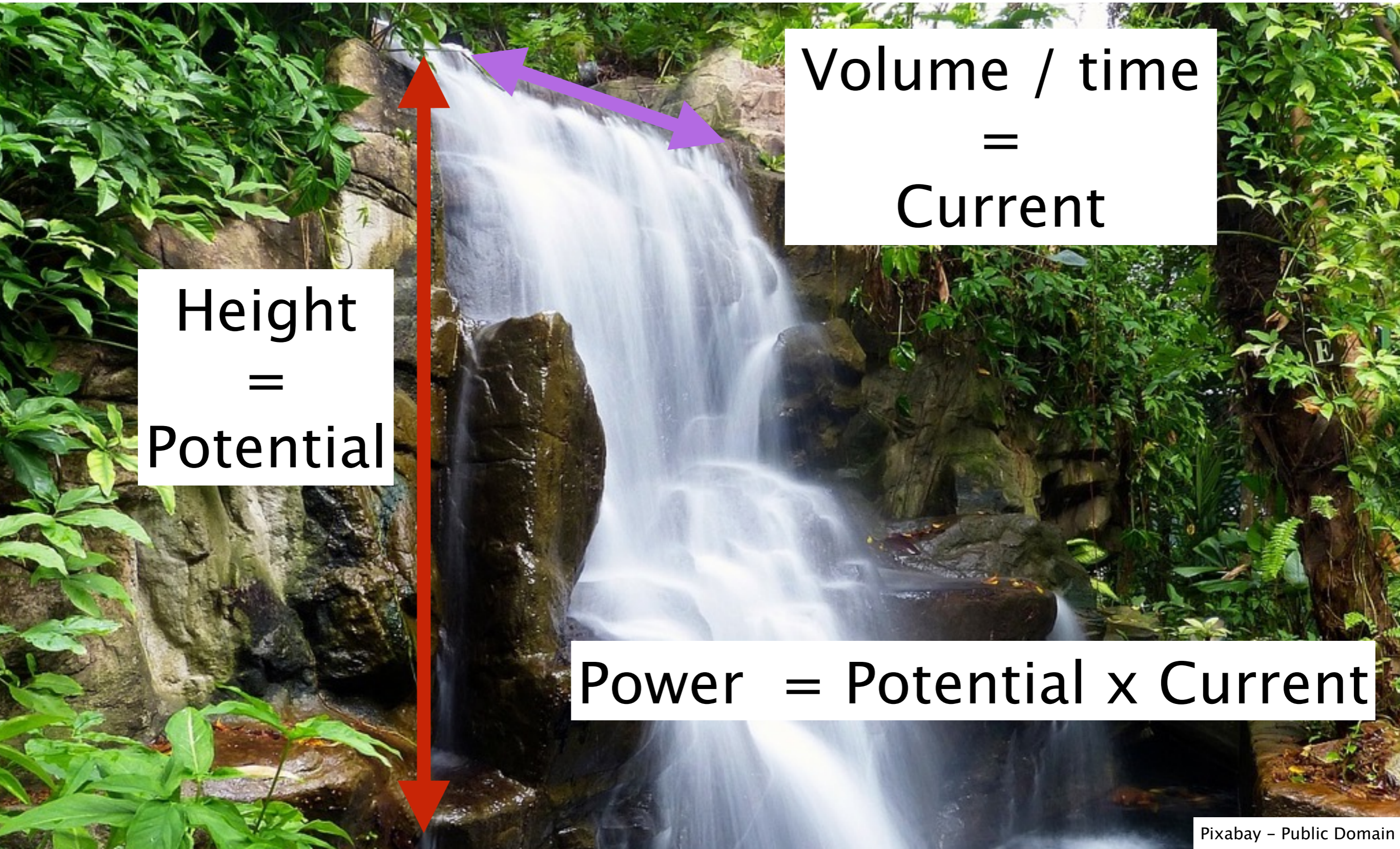
institute for art, science and technology



BioHack Academy Principles of Electronics



Electricity vs Waterfall



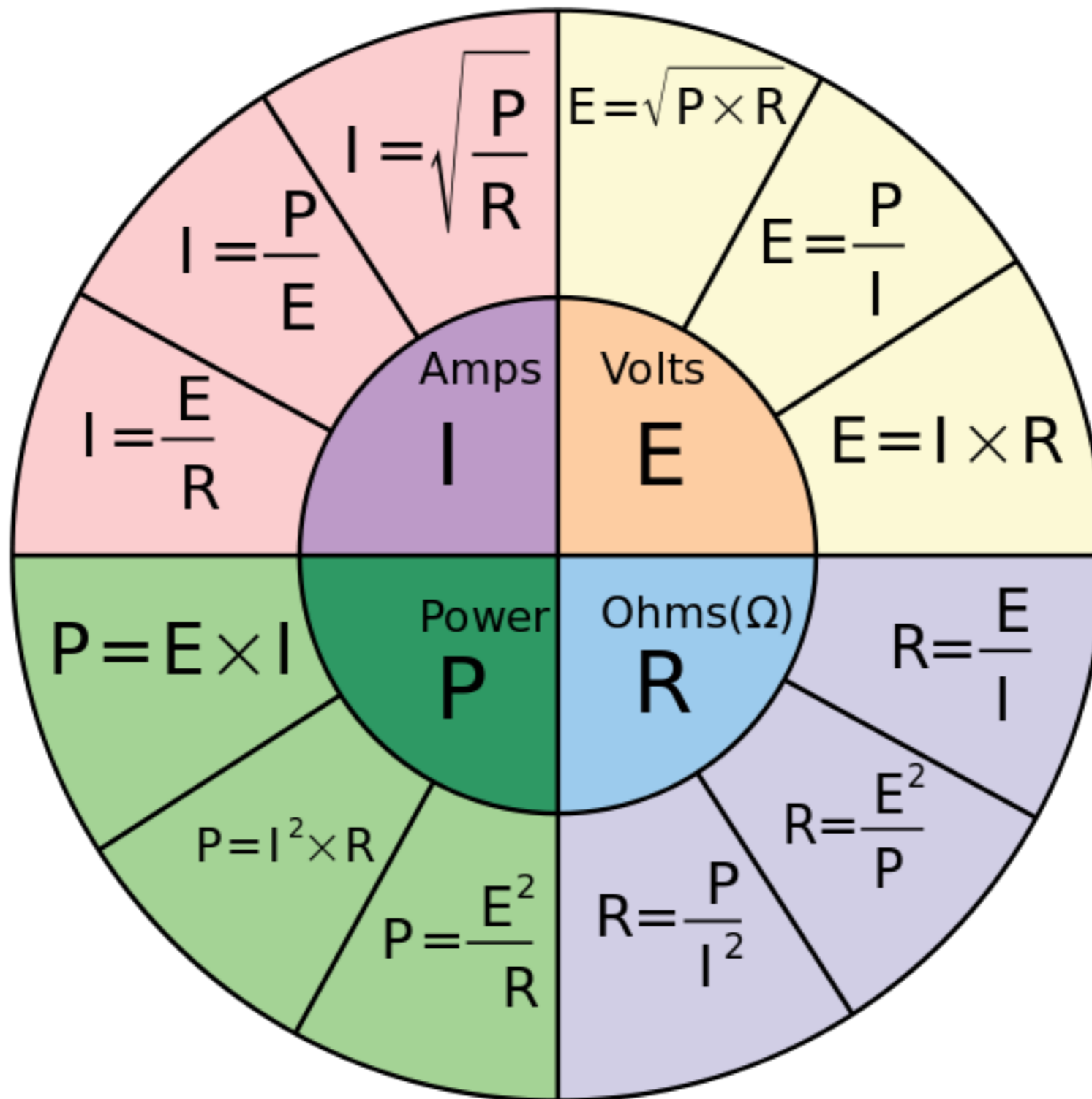
Volume / time
=
Current

Height
=
Potential

Power = Potential x Current

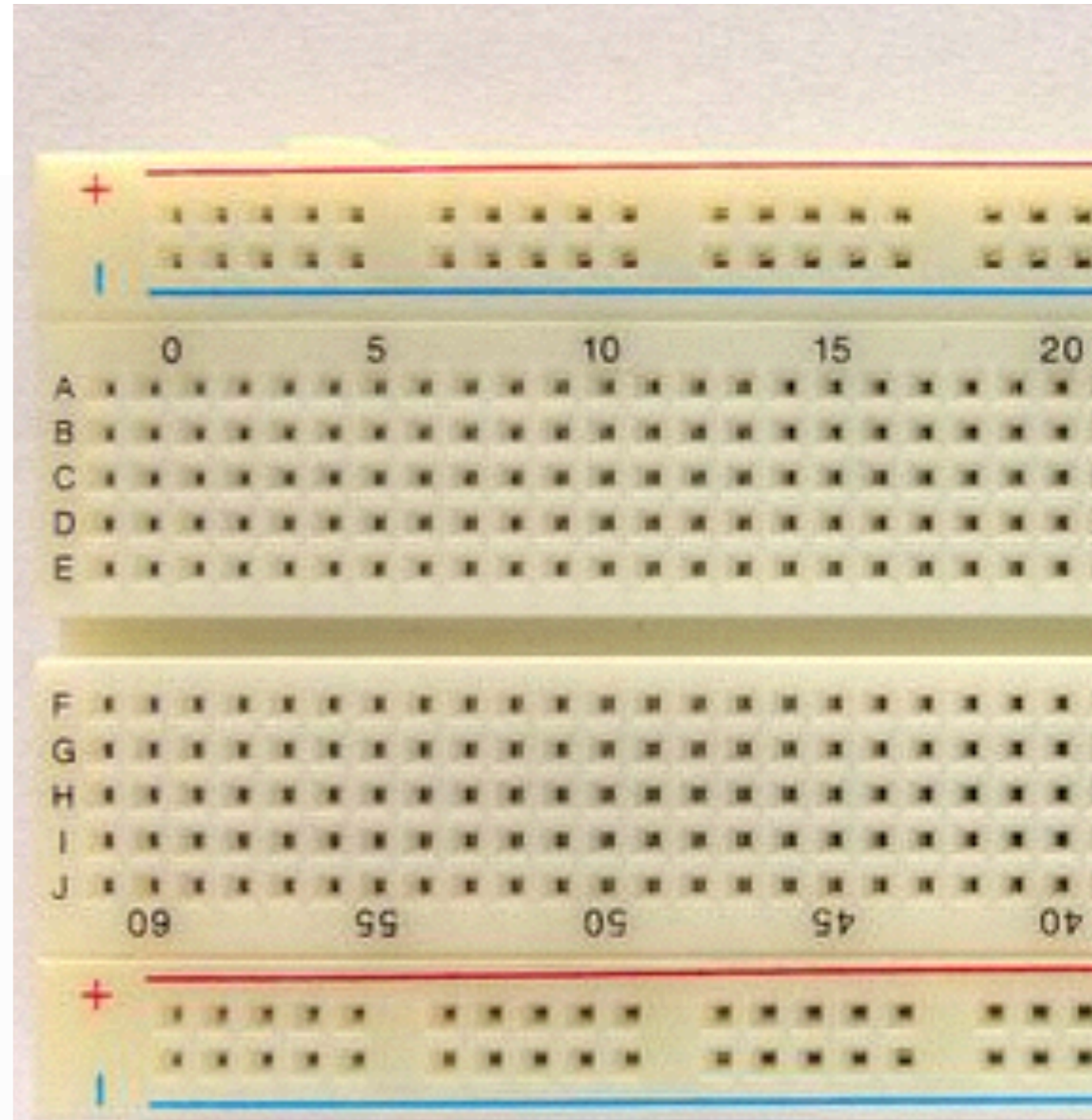
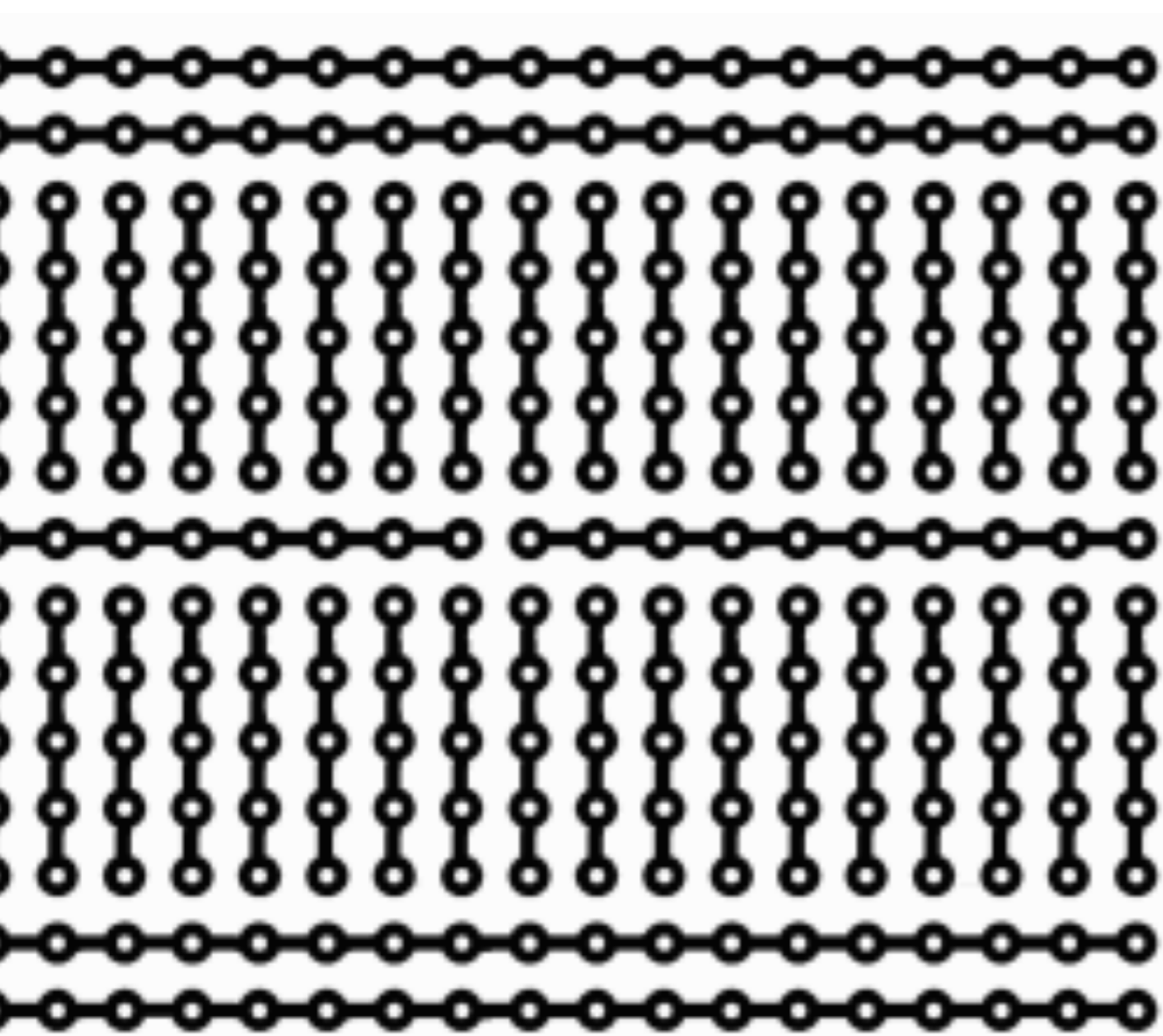


Ohm's Law



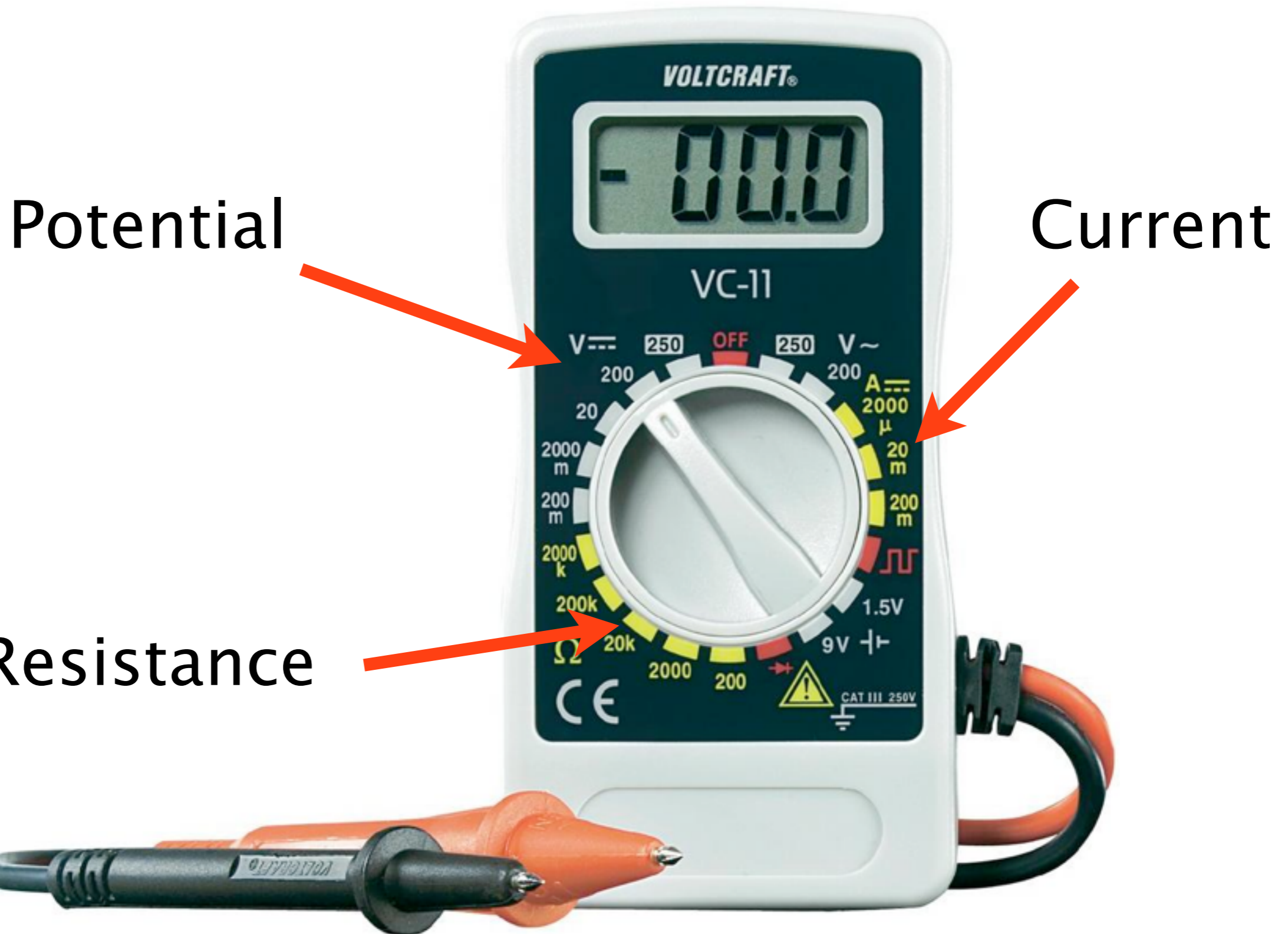


Breadboard





Measuring



Potential

Current

Resistance



waag society

institute for art, science and technology

Soldering



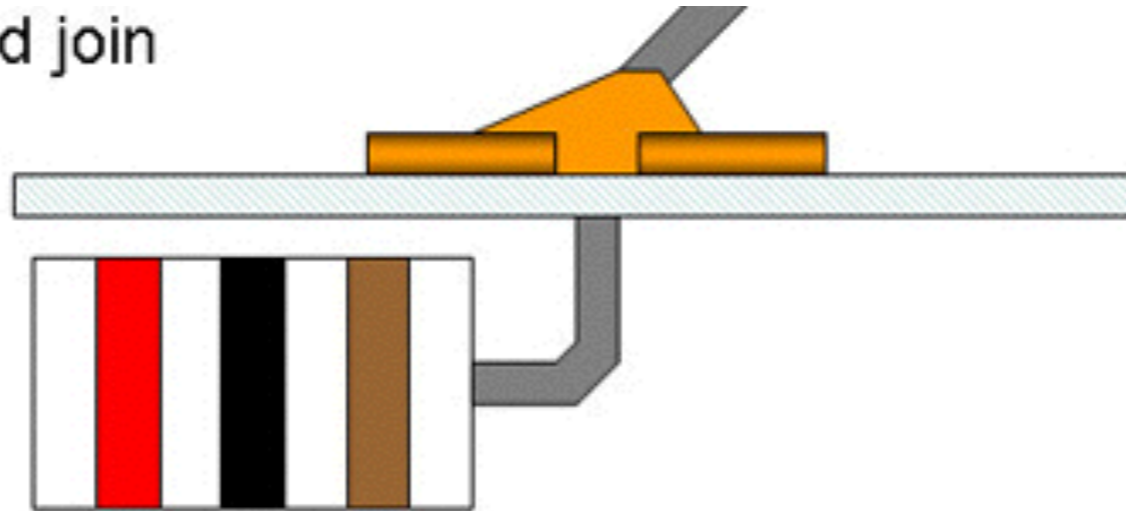
Soldering Iron – 350 C



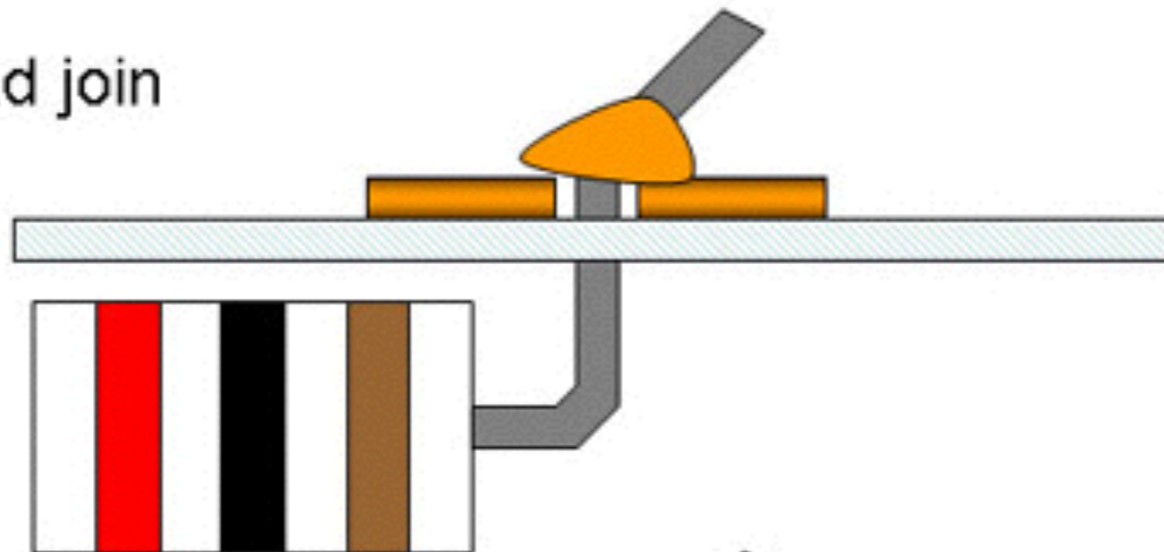


Soldering is easy

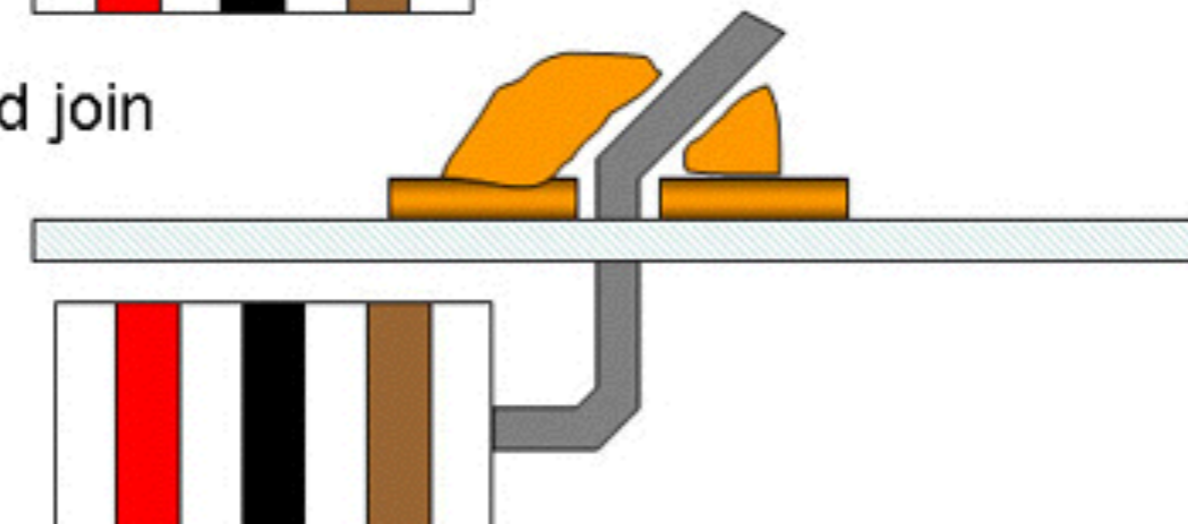
Good join



Bad join



Bad join





waag society

institute for art, science and technology

Electrical Safety



Remember what your mother told you

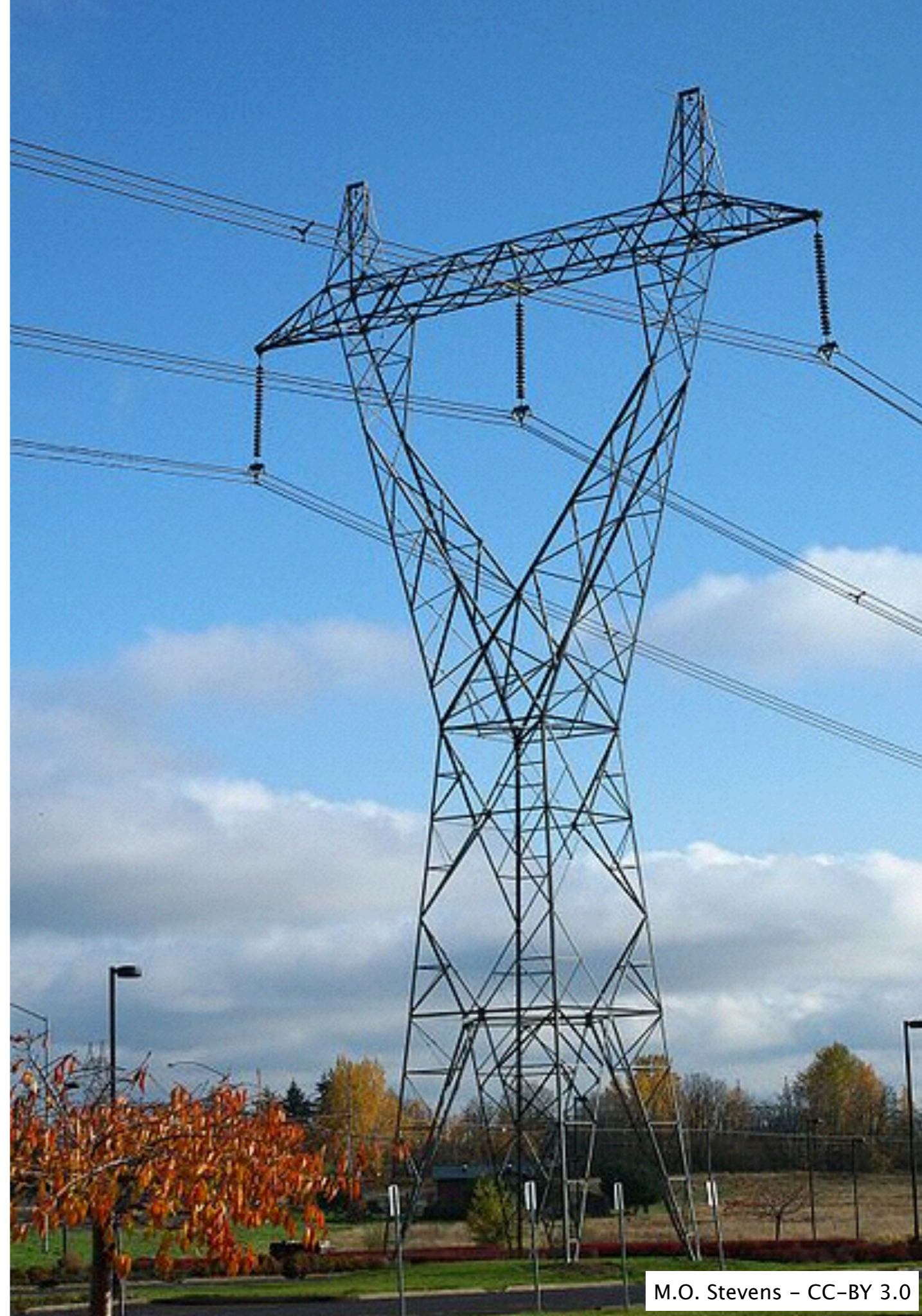
DANGER

220 VOLTS



Dangers:

- High voltage
- Low resistance
=
- High Current
- Make use of isolation!
- Better safe than sorry!





some

rights

reserved